

# HT-336-ADA

## Full Height ADA Gate

Interior & Exterior Application

Dollar for dollar, Hayward Turnstiles are simply the best turnstile value in the access control industry.

We have engineered our turnstile product line with your needs in mind: Performance, aesthetics, reliability, and ease of maintenance.

In addition to turnstile and crowd control products, we offer design assistance for new installations, as well as custom fabricated devices.

Hayward Turnstiles provides access control systems regionally, nationally, and worldwide.

Contact us for more information about the new generation of turnstiles offered by Hayward Turnstiles.

*Shown in Stainless Steel*

Also available in Galvanized or Powder Coat

### Full Security for in a Customizable ADA Gate

The HT-336-ADA is our ADA Solution to perimeter security. This self-closing, heavy duty swing gate provides a wheelchair accessible 36" passage width. It's low voltage strike lock can be used mechanically or electronically, depending on your needs.



*Also available in Mesh ,  
Full Exit Push Bar, and  
Hydraulic Door Closer*



### APPLICATION:

The HT-336-ADA is ideal for controlling orderly flow of foot traffic in both indoor and outdoor settings.

Waist High

Full Height

Opticals

ADA Gates

Crowd Control



160A Wampus Lane, Milford, CT 06460

203-877-7096

sales@HaywardTurnstiles.com

www.HaywardTurnstiles.com

**PRODUCT FEATURES:**

- Materials and finishes available in your choice of Galvanized, Powder Coated Black or Stainless Steel
- Equipped with Stainless Steel Arms and Lid
- Performance features include heavy-duty mechanism which was designed and built to withstand the abuse of a modern day, high traffic subway station

**DESIGN & CONSTRUCTION**

- Designed for secure operation with aesthetics in mind
- Features minimal exposed hardware and meets ASTM standards

**CONTROLLER & ACCESS CONTROL OPERATION:**

Core Drilling of frame posts (preferred)

1/2" concrete anchors from tread plate (requires removing core legs from frame)

Field reversible electronic strike (24VDC) can be set to lock or open on power failure

Gate cam also be unlocked with no power by configuring the strike to fail lock and using a key

Gate automatically swings closed with standard hydraulic door closer

Voltage for electric strike can be taken from nearby turnstile power supply

**DIMENSIONS:**

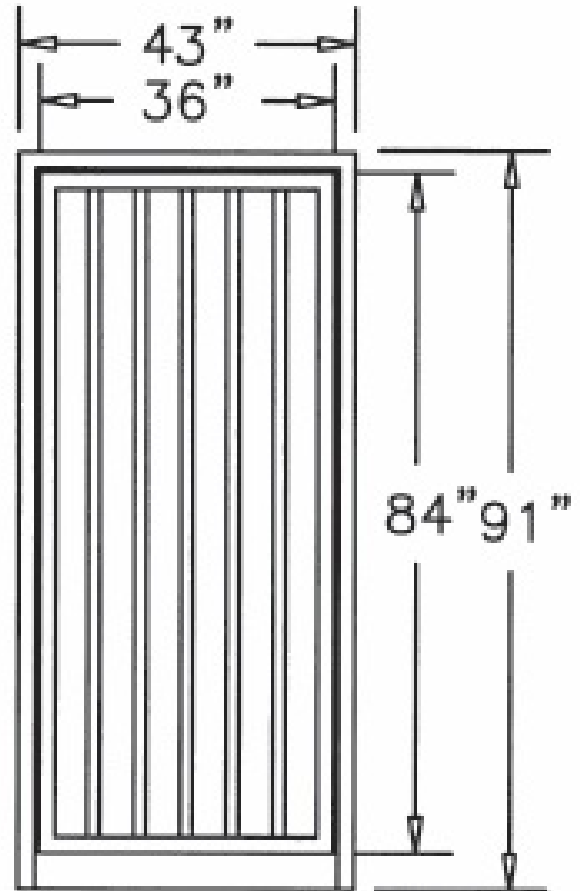
- See Drawing

**OPTIONS:**

- Reach Prevention Mesh
- Panic Bar with Mesh for Free Exit
- Magnetic Lock (replaces strike)
- Motorized Gate Opener (requires 110VAC)
- Push Button (Wired or Wireless)
- Variable Passage Widths (up to 40")
- Additional options available on request

**ELECTRICAL SPECIFICATIONS:**

- Command Module input 110 VAC (2amp-1amp) 50-60 Hz stepped down to a safe 24 VDC output



**WARRANTY:**

Units are warranted against defects in materials & workmanship for a period of one year from date of shipment. See warranty information for details.



160A Wampus Lane, Milford, CT 06460

203-877-7096

sales@HaywardTurnstiles.com

www.HaywardTurnstiles.com