

**Expert Advice. Great Value. Contact Us Today!**

**Call:** 203-647-9147 **Email:** sales@haywardts.com

**Website:** www.haywardts.com

## FastTurn MR200 Stainless

**Premium Value • Streamlined design • Strong and durable • Lasts a lifetime**

### FastTurn MR200 (Stainless)



*See back for detailed  
dimensions and specifications.*

#### **Applications:**

The FastTurn MR200 is the perfect waist high turnstile for a variety of applications ranging from athletic facilities, cafeterias, and schools, to amusement parks, stadiums and office buildings.

The streamlined, rugged and durable design has been built to withstand the abuse of a mass transit system while maintaining an affordable budget price.

Wherever control of pedestrian traffic is necessary, these waist high turnstiles will perform flawlessly. Used as either stand alone units or as part of a fully integrated security control package, these turnstiles offer great quality and value.

#### **Materials and finishes available in:**

- 304 Stainless Steel

#### **Other single passage models in this series:**

FastTurn LC100 Black or Stainless (*Entry-Level Value*)

FastTurn LC100P Portable Black or Stainless (*Entry-Level Value*)

FastTurn MR100 Stainless (*Mid-Level Value*)

FastTurn MR200 Plus Stainless (*Premium Value*)

#### **About Hayward Turnstiles:**

Hayward Turnstiles offers the best value and service in the access control industry. Choose from our SecureTurn Full Height, FastTurn Waist High, EZ Lane Optical or EntryGate industry leading product lines.

In addition to turnstile and crowd control products, we offer design assistance for new installations, as well as custom fabricated devices.

Hayward Turnstiles is an industry leading turnstile manufacturer and provides expertise in access control systems worldwide.

**Expert Advice. Great Value. Contact Us Today!**

**Call:** 203-647-9147 **Email:** sales@haywardts.com

**Website:** www.haywardts.com

## FastTurn MR200 Specifications

### Applications:

The FastTurn MR200 is the perfect waist high turnstile for a variety of applications ranging from athletic facilities, cafeterias, and schools, to amusement parks, stadiums and office buildings.

The streamlined, rugged and durable design has been built to withstand the abuse of a mass transit system while maintaining an affordable budget price.

### Product Features:

- 304 Stainless Steel
- Radius Ends

### Design & Construction:

- Streamlined and functional design for secure operations
- Heavy duty steel locking bars, cam, and roller assemblies
- Stainless steel arms and lid
- Strong and durable to last a lifetime of use

### Turnstile Operation:

- Single direction or bi-directional passage
- Self-centering control head with hydraulic shock suspension

### Options:

- Electronic locking module featuring heavy-duty 24 VDC solenoids and card reader interface
- Fail-Safe (*free passage on power failure*)
- Fail-Lock (*locked passage on power failure*)
- Interfaces with card readers, pc attendance systems, push button, wireless remotes and metal detectors.
- Card reader mounting plates
- Electronic six digit resettable counter with LCD display and ten-year lithium battery
- Manual key override (*both directions*)
- Red/Green status indicator lights
- Additional options available upon request

### Electrical Specifications:

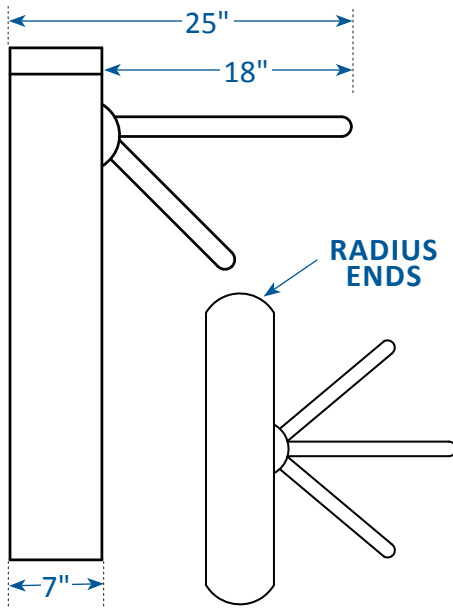
Power supply input 100-240VAC (.7 amp) 50/60hz output 24VDC (1.1 amp) All components UL recognized

### Warranty:

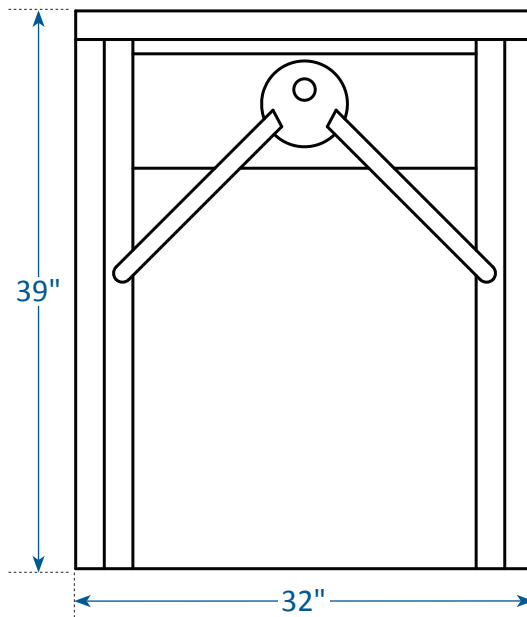
Units are warranted against defects in materials and workmanship for a period of one year from date of delivery. See warranty information for specific details.

## FastTurn MR200 Dimensions

### CABINET & ARM LENGTH



### CABINET PROFILE



### BASE PLATE

